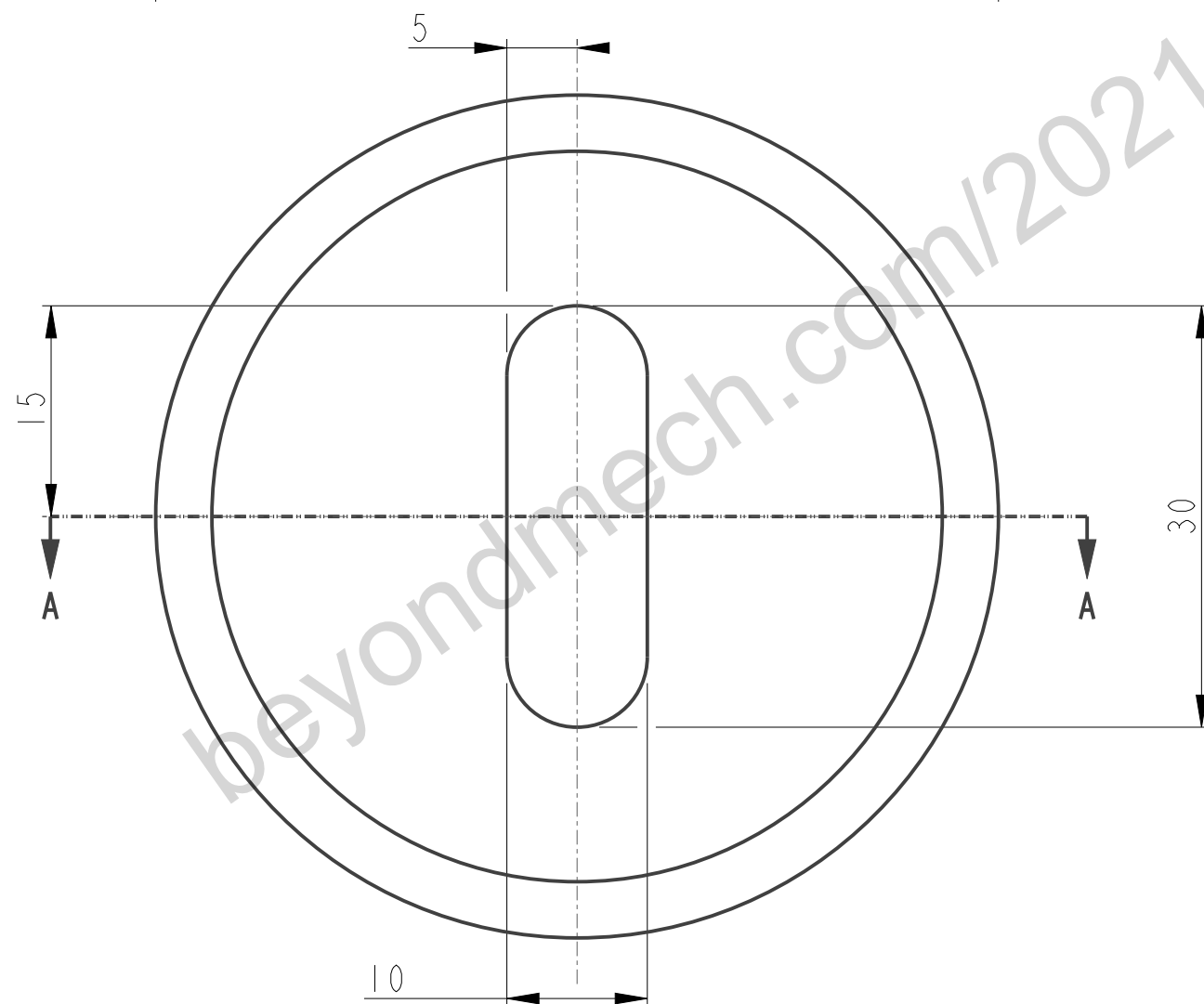


REFERENCE ISOMETRIC VIEW  
SCALE 1:1



Visit [www.beyondmech.com](http://www.beyondmech.com)

Free drawings and MBD (Model-based definitions) for practise. Download 3D PDF for Free.

**Reference Only**

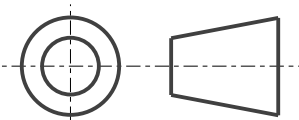
© All Rights Reserved.

**BM** BEYOND  
MECH.com

INDUSTRY STANDARD DRAWINGS FOR PRACTISE.  
DISCLAIMER: FOR REFERENCE PURPOSE ONLY. NOT TO BE MODIFIED/ REPRODUCED.

Part Number  
BM-B-075

Sheet size  
A3



DRAWING SCALE - 2:1

ALL DIMENSIONS ARE IN "mm"