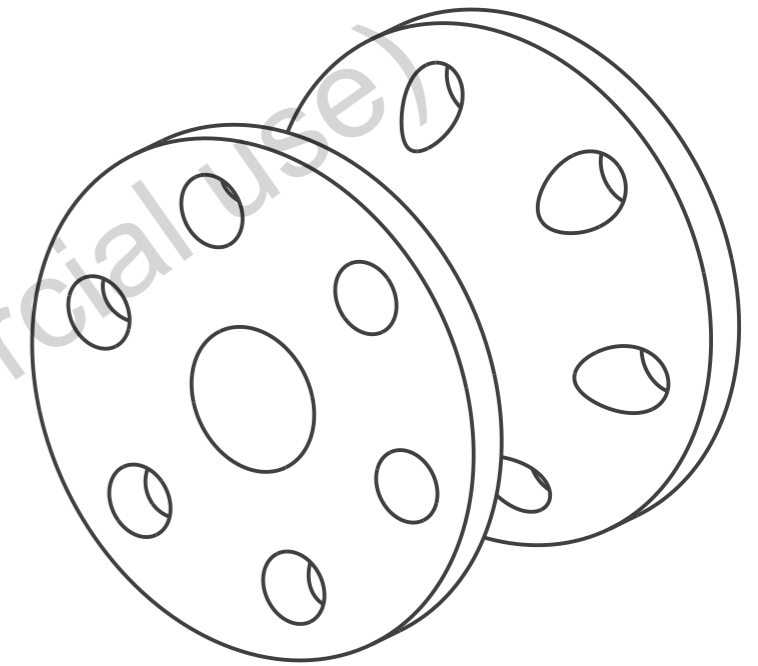
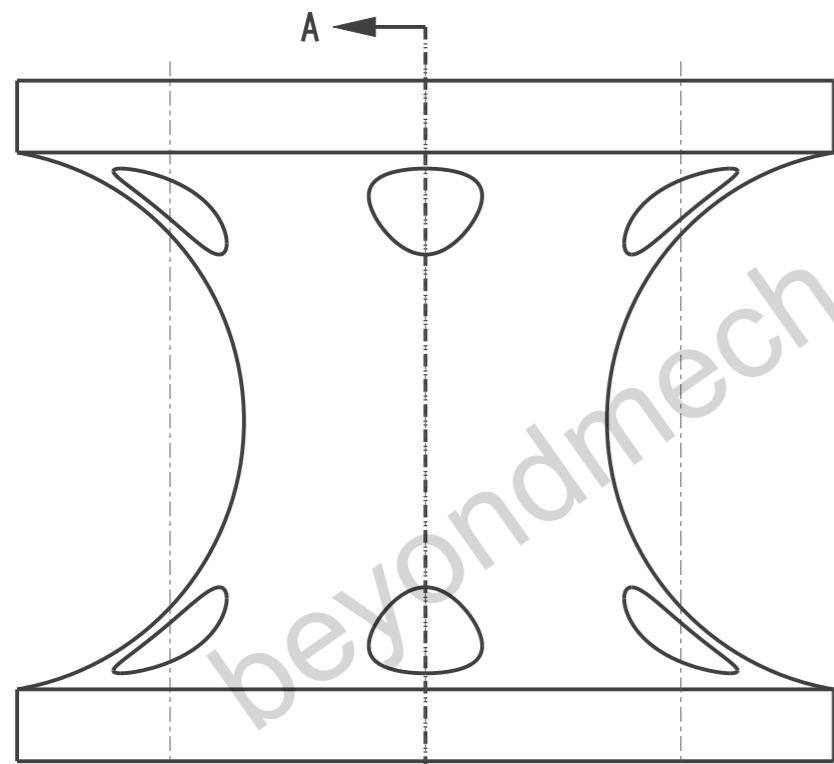


SECTION A-A



REFERENCE ISOMETRIC VIEW
SCALE 2:1



REFERENCE VIEW - NO DIMENSIONS

Visit www.beyondmech.com

Free drawings and MBD (Model-based definitions) for practise. Download 3D PDF for Free.

Reference Only

© All Rights Reserved.

BM BEYOND
MECH.com

INDUSTRY STANDARD DRAWINGS FOR PRACTISE.
DISCLAIMER: FOR REFERENCE PURPOSE ONLY. NOT TO BE MODIFIED/ REPRODUCED.

Part Number
BM-B-119

Sheet size
A3

DRAWING SCALE - 3:1

ALL DIMENSIONS ARE IN "mm"

