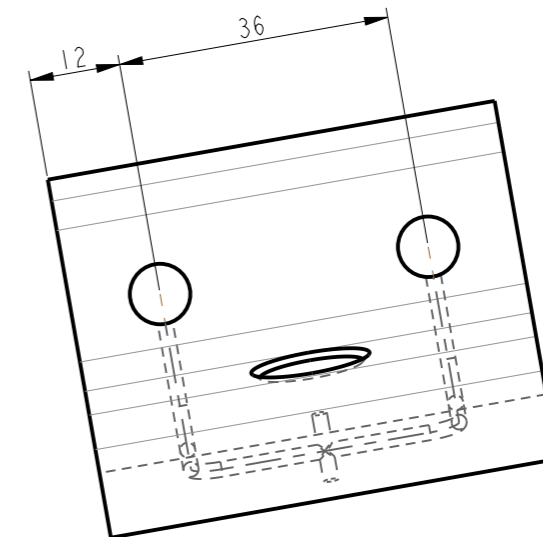
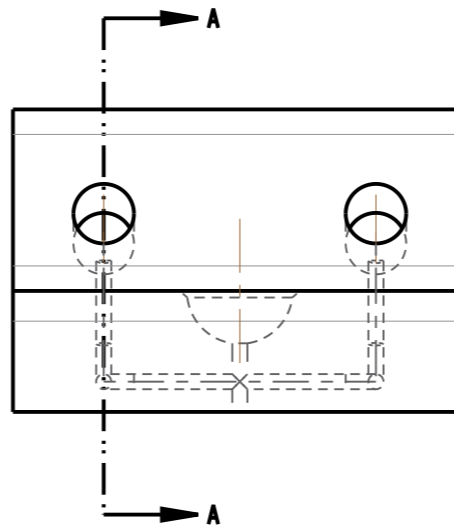
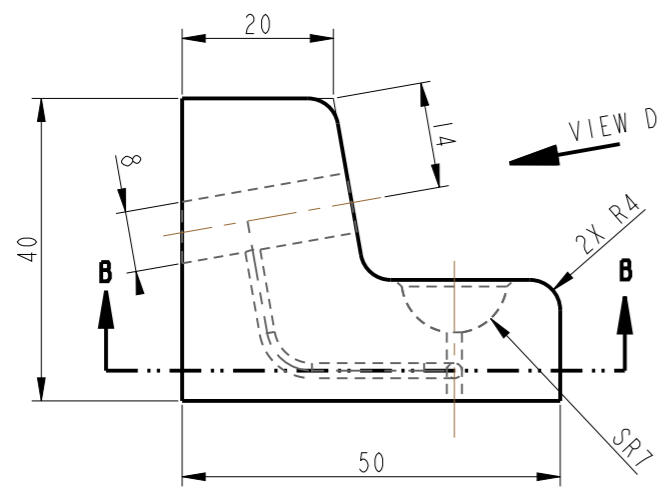
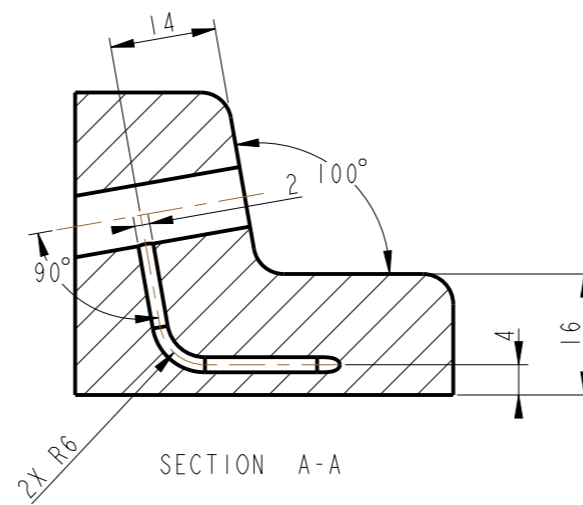
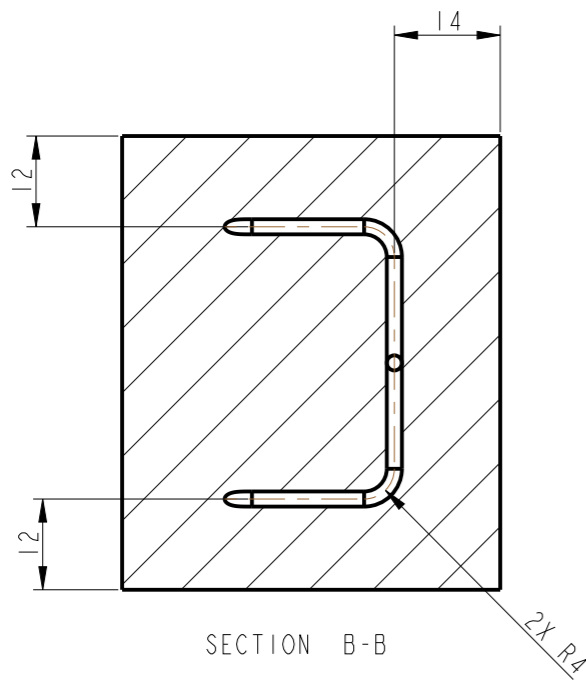


ISOMETRIC VIEW



VIEW D



[Click here for help topics](#)

REFERENCE ONLY
WWW.BEYONDMECH.COM